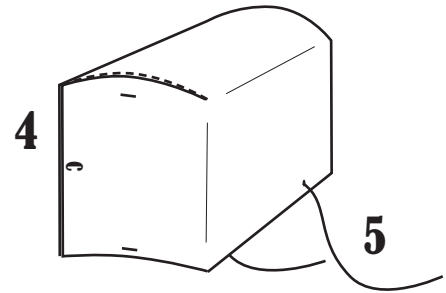
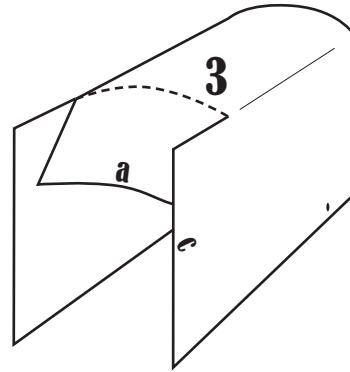
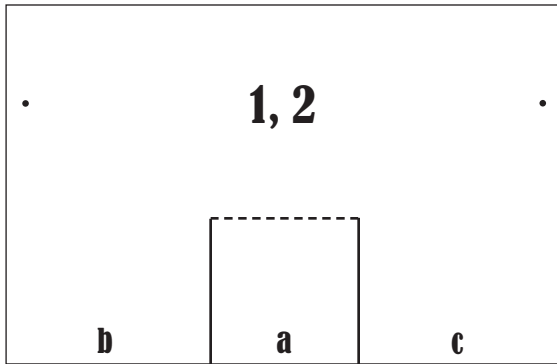


Bonnet--Sun or Fancy



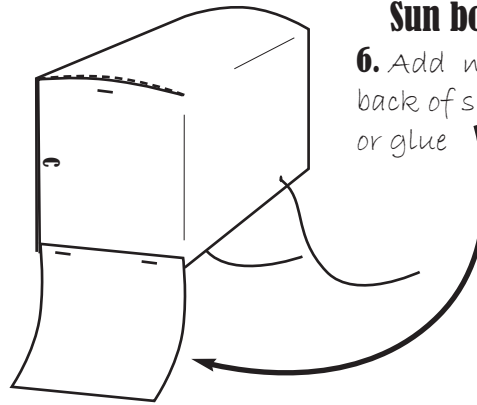
For both bonnets:

1. Color bonnet pattern as desired (easier to do this while it is still flat)
2. Cut pattern on two solid lines and punch out holes with hole punch
3. Bend center flap **a** down gently on dotted line
4. Fold outer flaps **b** and **c** toward each other over center flap, align, and staple together at top and bottom
5. Cut two yarn pieces 10-15" long and tie one in each hole as bonnet ties

Sun bonnet

6. Add neck cover* to bottom back of sun bonnet with stapler or glue

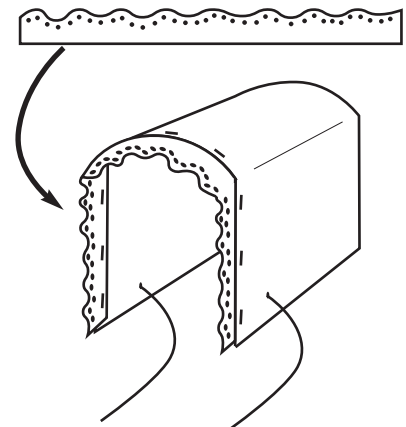
* aka tail, ruffle, or cape



OR

Fancy bonnet

6. Make "lace" to decorate the lip of the bonnet by cutting a wavy edge on pieces of paper and punching holes near that edge. Attach to bonnet with stapler or glue



NORTH CAROLINA
MUSEUM OF HISTORY

History Happens Here