

Paul A. Stimpson
NORTH CAROLINA
PROFESSIONAL ENGINEER
22052
PAUL A. STIMPSON
7/23/19

© 2019 LaBella Associates

**ALAMANCE
AGGREGATES, LLC**
Mr. Chad Threatt, VP

Snow Camp Mine

NO.	DATE	OWNER/NO/DEMLR COMMENTS
1	7/19/19	

REVISIONS
PROJECT NUMBER: 2190335

DRAWN BY: KCG/ATC

REVIEWED BY: PAS

ISSUED FOR: CONSTRUCTION

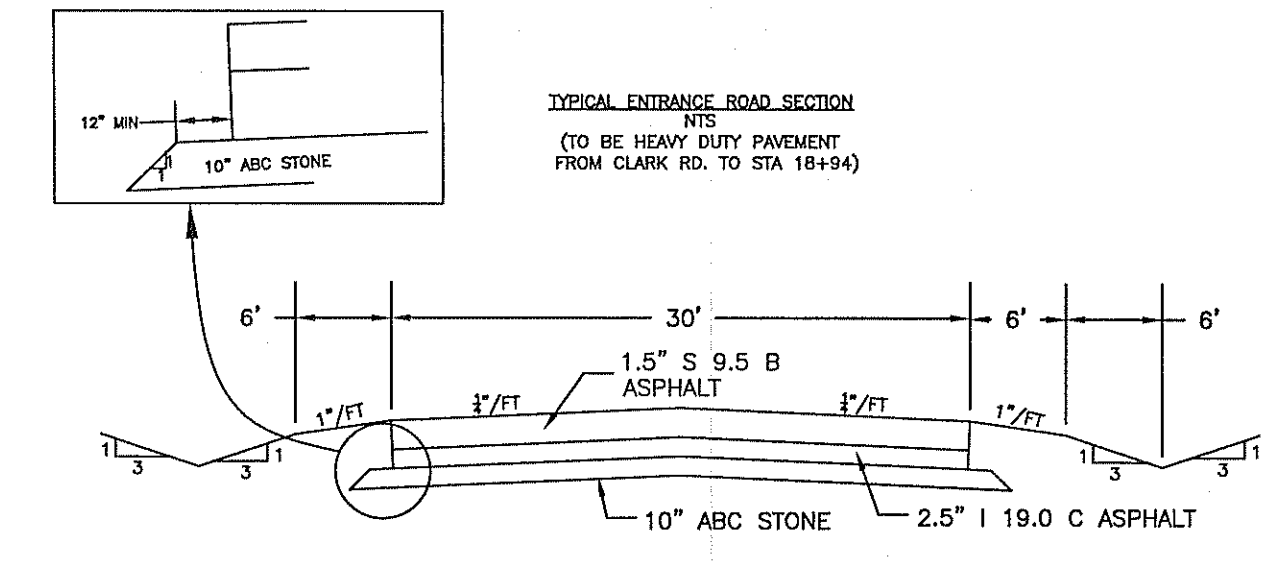
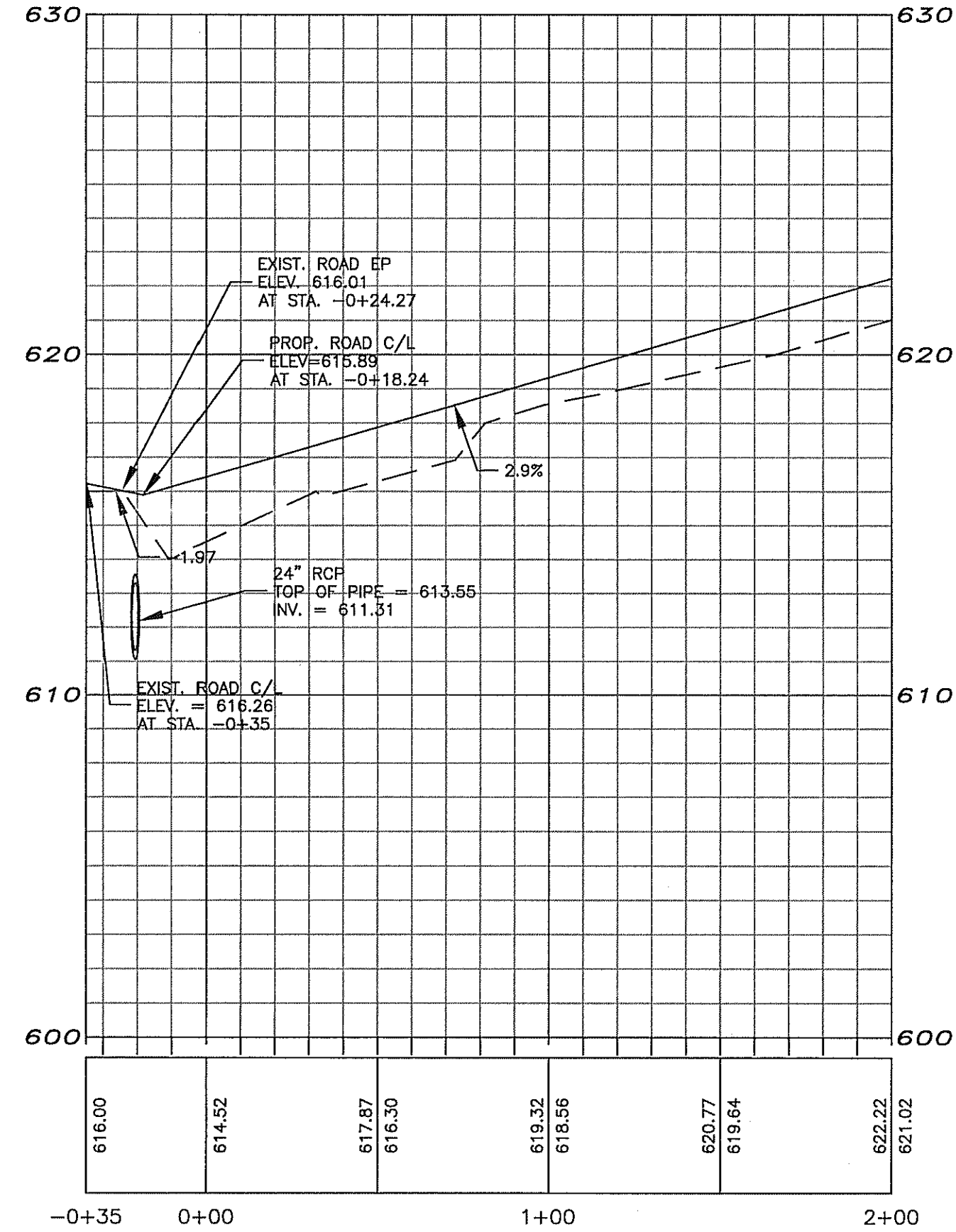
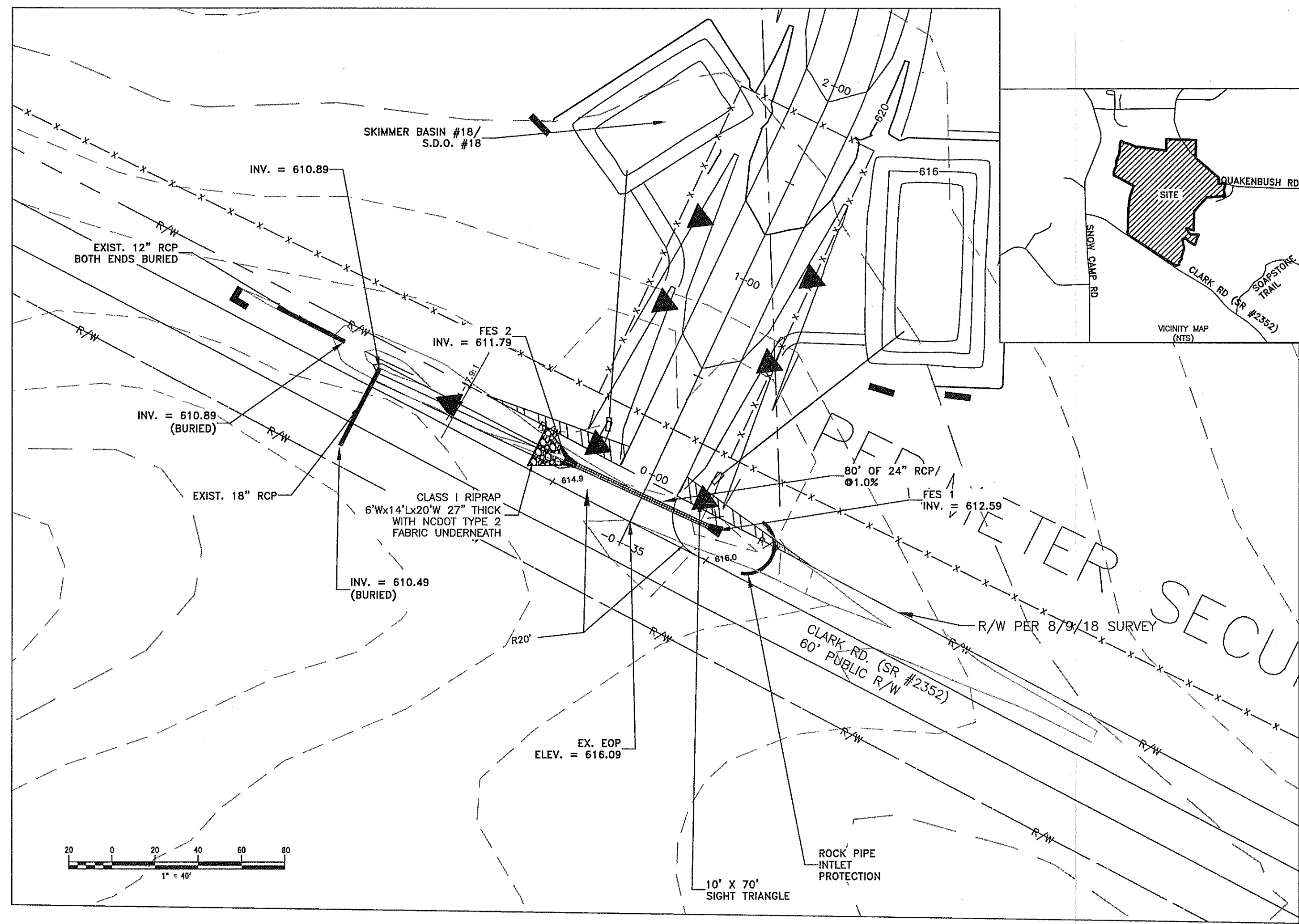
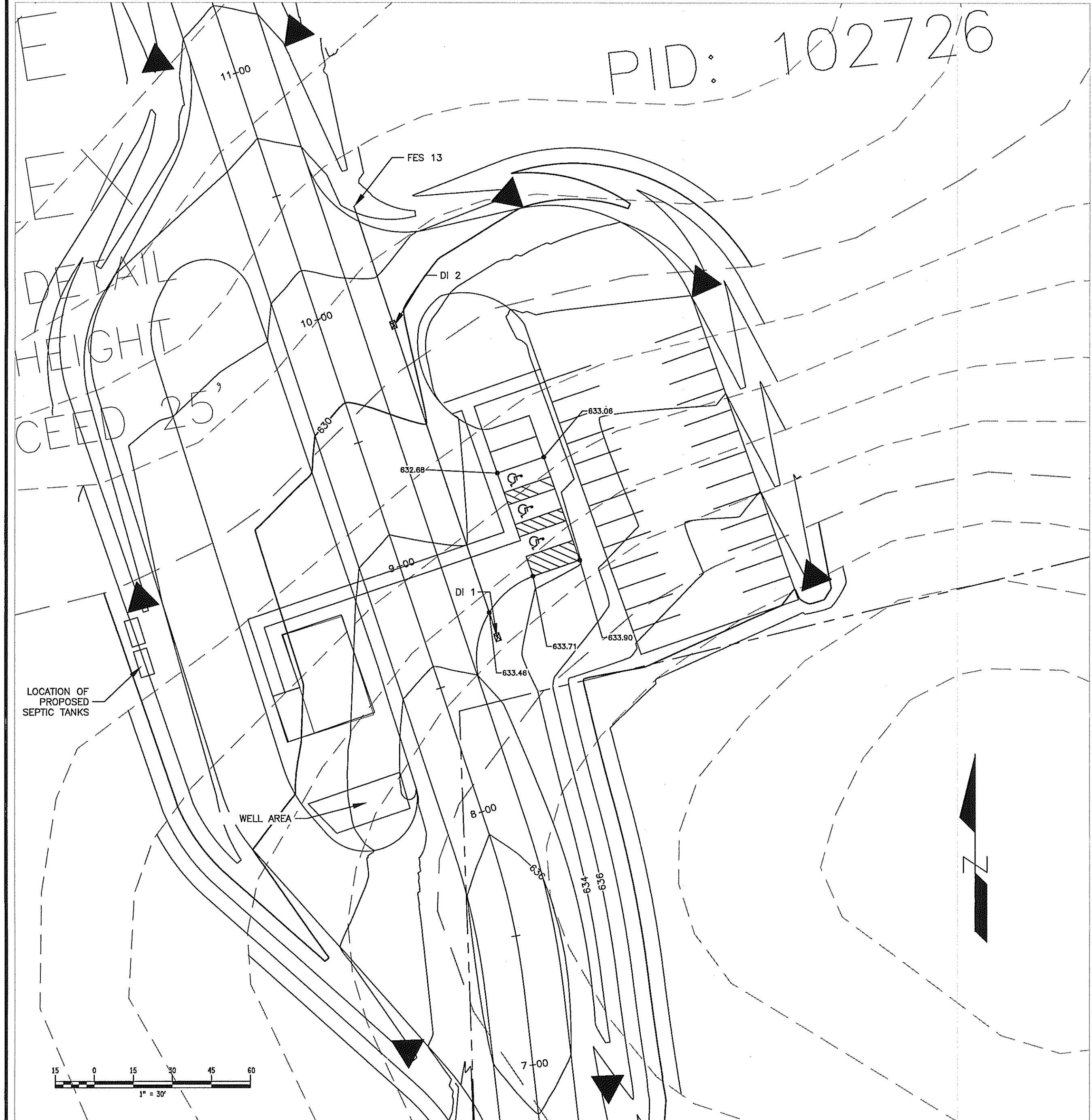
DATE: 10/24/18

DRAWING NAME:

**PARKING AND ENTRANCE
ROAD DETAILS**

DRAWING NUMBER:

C305



FIELD SURVEY INFORMATION OBTAINED FROM ALAMANCE AGGREGATES ON JAN. 9 2018
EXISTING GROUND PROFILE AT CLARK ROAD AND WETLAND POINTS OBTAINED FROM
ALAMANCE AGGREGATE ON AUGUST 9, 2018
ALL OTHER TOPOGRAPHY OBTAINED FROM GIS