

Paul A. Stimpson
NORTH CAROLINA PROFESSIONAL ENGINEER
PAUL A. STIMPSON
22052
7/23/19

© 2019 LaBella Associates

**ALAMANCE
AGGREGATES, LLC**
Mr. Chad Threatt, VP

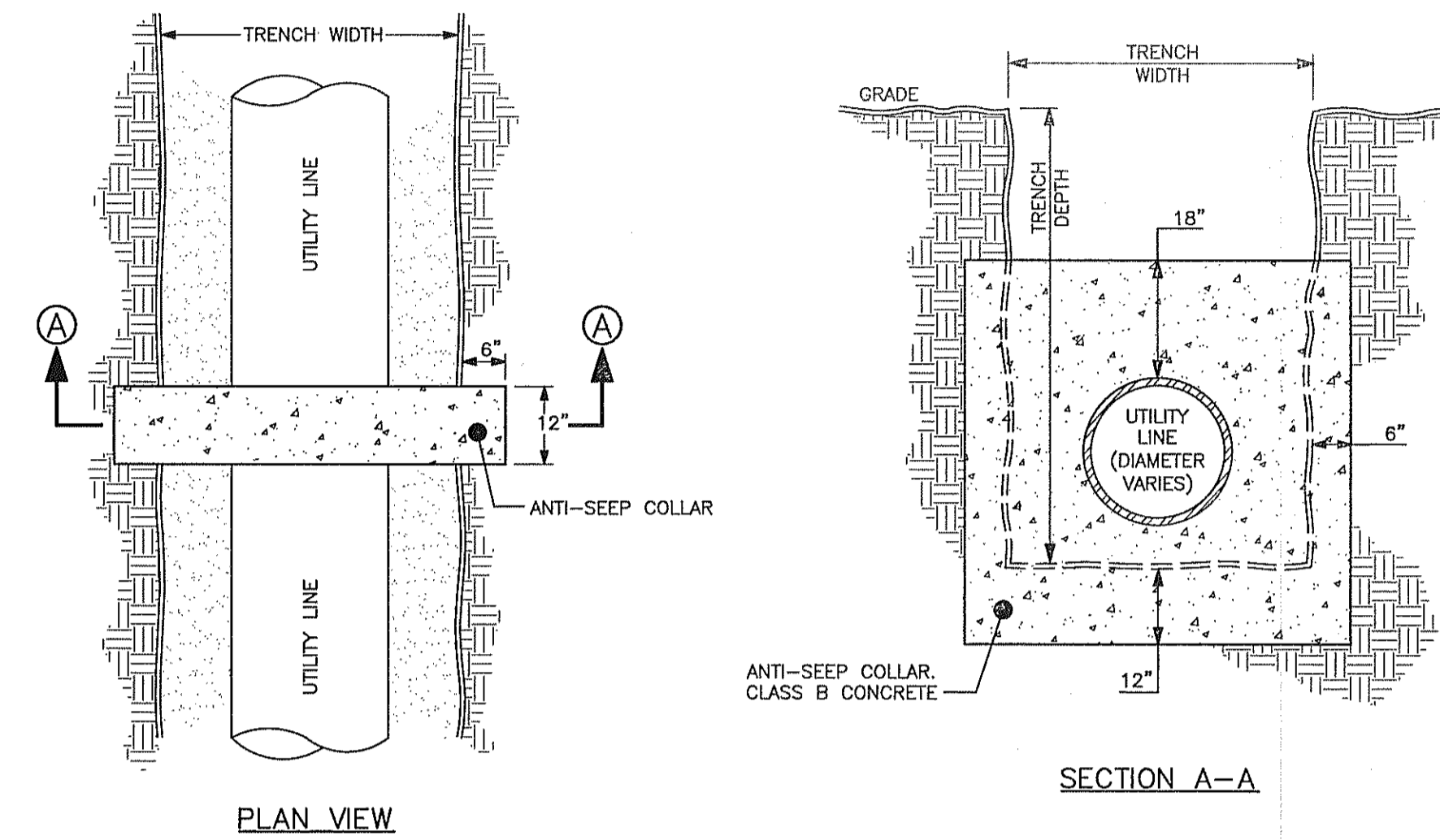
Snow Camp Mine

NO.	DATE	DESCRIPTION
REVISIONS		
PROJECT NUMBER:		2190335
DRAWN BY:		KCG/ATC
REVIEWED BY:		PAS
ISSUED FOR:		CONSTRUCTION
DATE:		7/18/19
DRAWING NAME:		
DRAWING NUMBER:		

Channel Number	Description	Max. Bed Slope	Side Slope (H:V)	Bottom Width (ft)	Discharge (cfs)	Bottom Stabilization Method	Side Stabilization Method
1	FES 2 to STA. 6+50	2.90%	3:1	2	7.05	Curlex I	Curlex I
2	FES 1 to Sta. 6+50	2.96%	3:1	2	12.66	Curlex I	Curlex I
3	West Side Access Road Sta. 7+00 to 14+00	4.10%	3:1	2	3.5	Curlex I	Curlex I
4	East Side Access Road Sta. 8+50 to 14+00	3.63%	3:1	2	5.12	Curlex I	Curlex I
5	Access Road (West Side) Sta. 18+50 to SK 6	11.25%	3:1	2	4.55	Curlex III	Curlex III
6	SK 8 to Stream Buffer	6.93%	2:1	3	13.64	Curlex III	Curlex III
7	Exist. 18" RCP to FES 2	1.00%	2:1	1	20.59	Curlex I	Curlex I
8	SK 6 to Sta. 20+00	3.25%	2:1	2	4.55	Curlex I	Curlex I
9	SK 7 to Sta. 20+00	3.50%	2:1	2	5.81	Curlex I	Curlex I

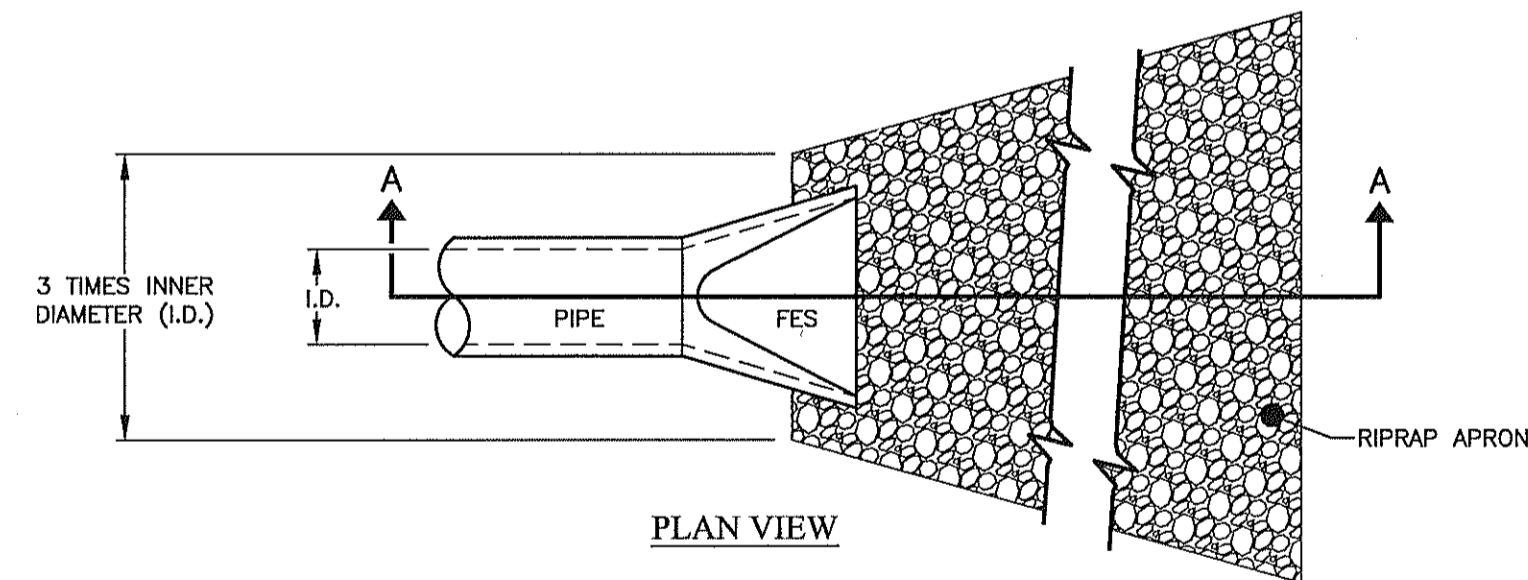
4 CHANNEL STABILIZATION SCHEDULE

C 402 NTS



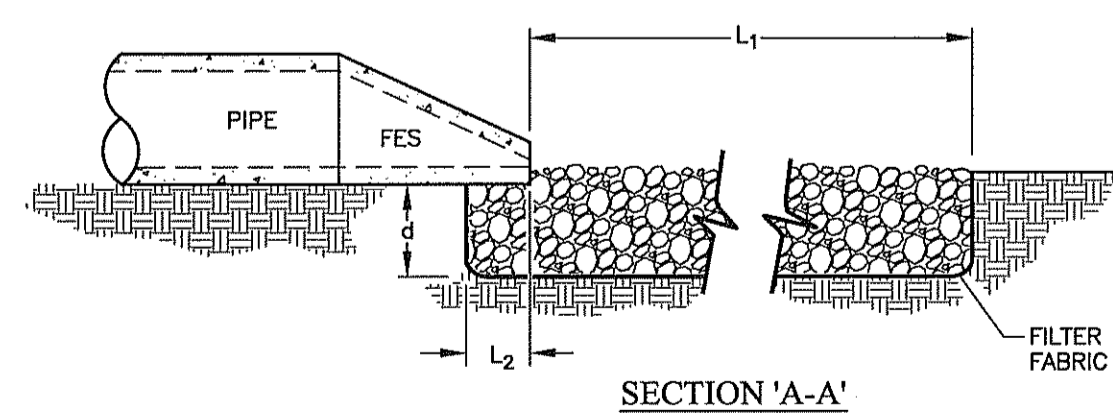
3 ANTI-SEEP COLLAR

C 402 NTS



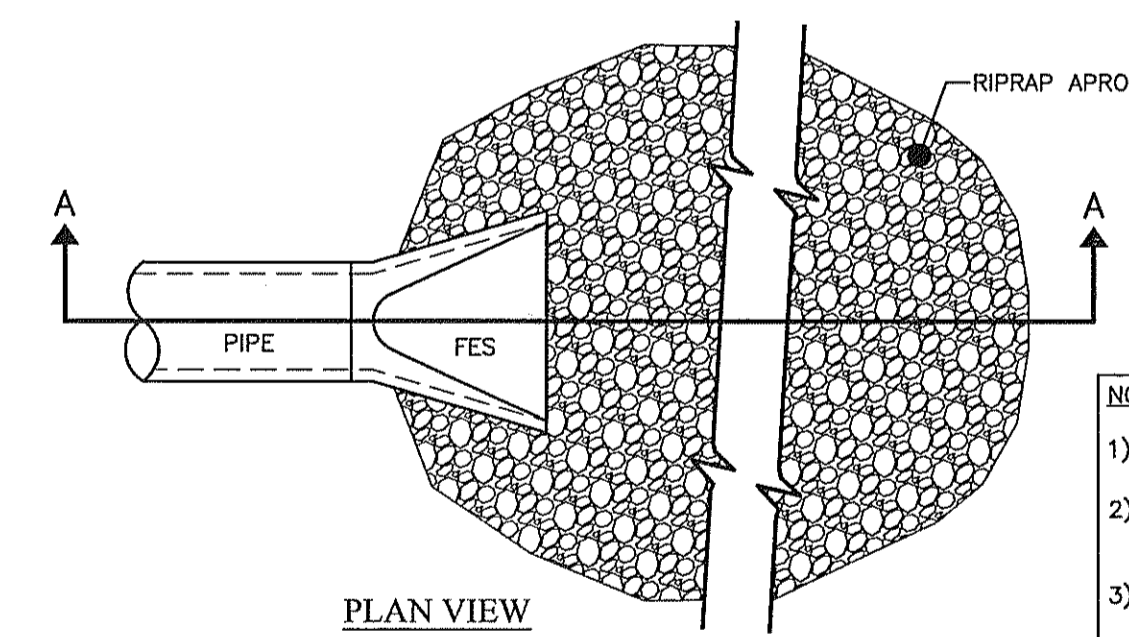
NOTES:

- 1) L_1 = LENGTH OF THE RIPRAP APRON.
- 2) L_2 = RIPRAP TO BE INSTALLED UNDERNEATH 1/3 THE LENGTH OF FLARED END SECTION (FES).
- 3) d = 1.5 TIMES THE MAXIMUM STONE DIAMETER BUT NOT LESS THAN 18 INCHES.
- 4) A FILTER BLANKET OR FILTER FABRIC MUST BE INSTALLED BETWEEN THE RIPRAP AND SOIL FOUNDATION (NCDOT TYPE 2).



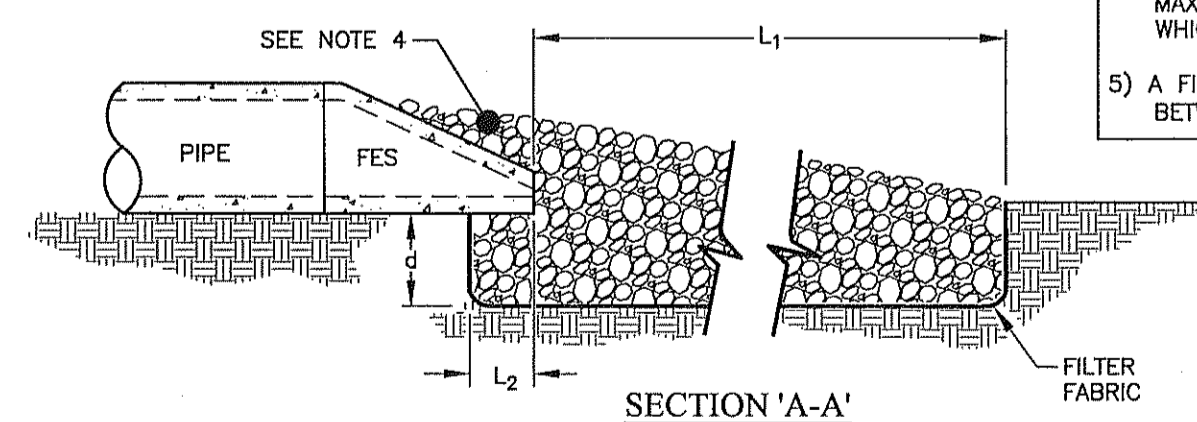
2 PIPE OUTLET TO FLAT AREA NO WELL-DEFINED CHANNEL

C 402 NTS



NOTES:

- 1) L_1 = LENGTH OF THE RIPRAP APRON.
- 2) L_2 = RIPRAP TO BE INSTALLED UNDERNEATH 1/3 THE LENGTH OF FLARED END SECTION (FES).
- 3) d = 1.5 TIMES THE MAXIMUM STONE DIAMETER BUT NOT LESS THAN 6 INCHES.
- 4) IN A WELL-DEFINED CHANNEL, EXTEND THE APRON UP THE CHANNEL BANKS TO AN ELEVATION OF 18 INCHES ABOVE THE MAXIMUM TAILWATER DEPTH OR TO THE TOP OF THE BANK, WHICHEVER IS LESS.
- 5) A FILTER BLANKET OR FILTER FABRIC MUST BE INSTALLED BETWEEN THE RIPRAP AND SOIL FOUNDATION (NCDOT TYPE 2).



1 PIPE OUTLET TO WELL-DEFINED CHANNEL

C 402 NTS