

Paul A. Stimpson
NORTH CAROLINA
REGISTERED PROFESSIONAL
ENGINEER
PAUL A. STIMPSON
22052
7/23/19

© 2019 LaBella Associates

**ALAMANCE
AGGREGATES, LLC**
Mr. Chad Threatt, VP

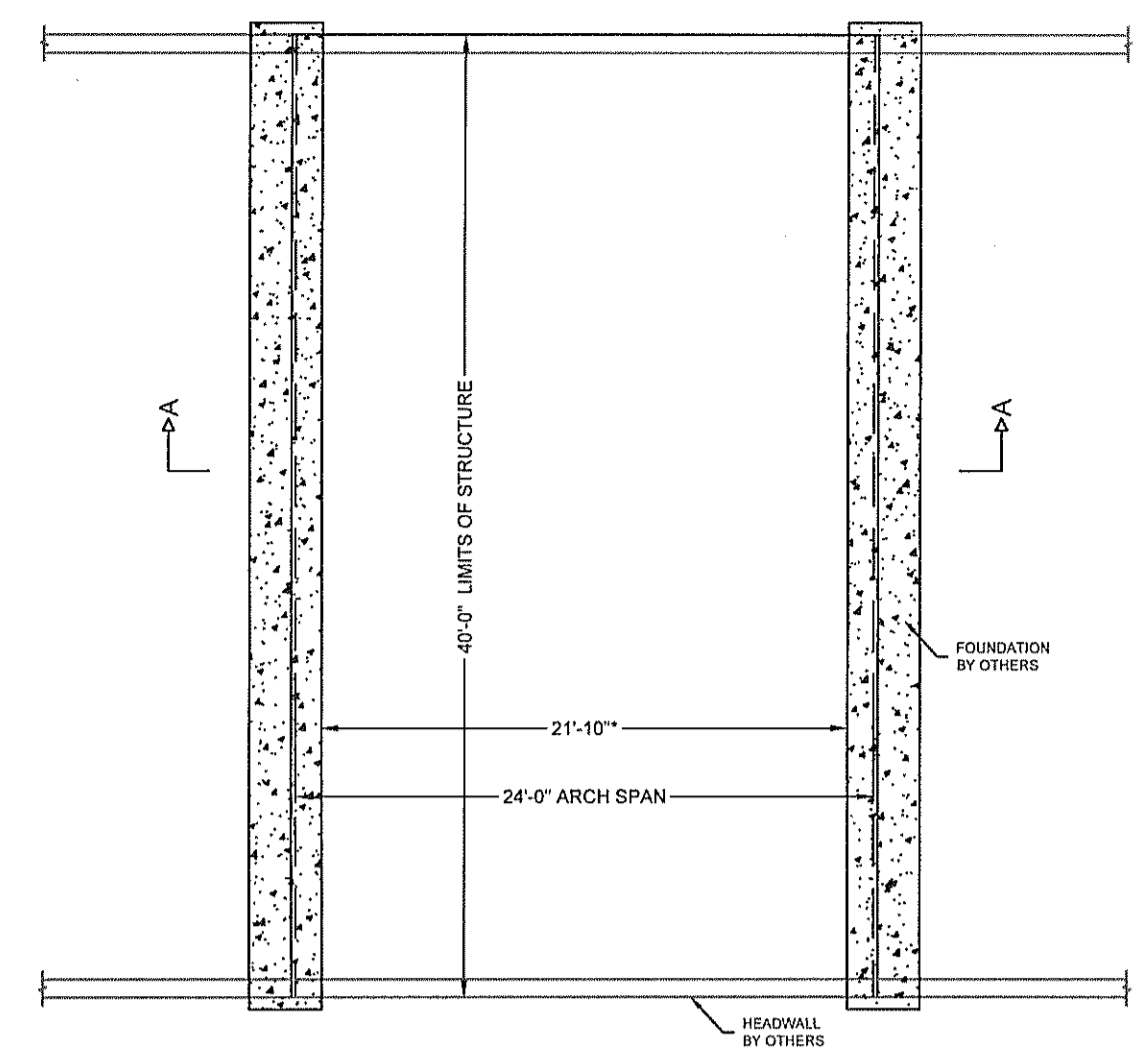
Snow Camp Mine

NO.	DATE	DESCRIPTION
REVISIONS		
PROJECT NUMBER:	2190335	
DRAWN BY:	KCG/ATC	
REVIEWED BY:	PAS	
ISSUED FOR:	CONSTRUCTION	
DATE:	7/18/19	
DRAWING NAME:		

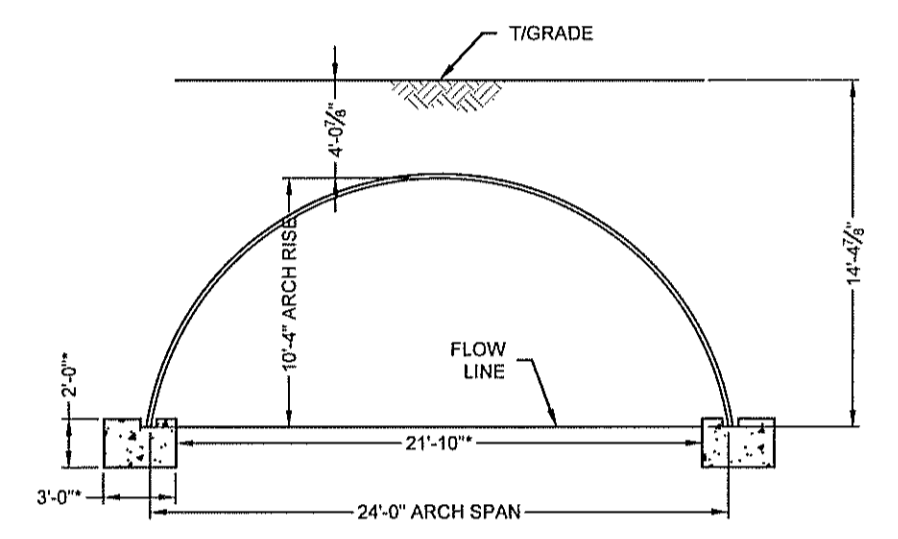
SITE DETAILS

DRAWING NUMBER:

C401



BRIDGE PLAN

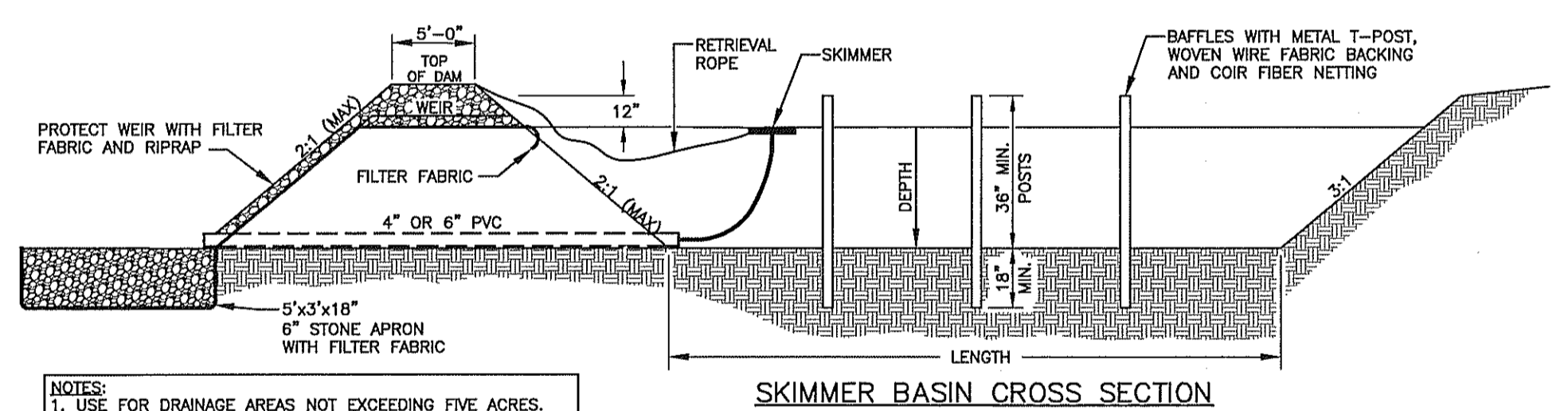


CROSS SECTION A-A

NOTES:
• MEASUREMENTS ARE TO THE INSIDE
CRESTS OF THE CORRUGATION
• DIMENSIONS ARE SUBJECT TO
MANUFACTURING TOLERANCES

*PRELIMINARY FOUNDATION DESIGN NOTES:
• PRELIMINARY SIZING BASED ON
ASSUMED 8000 PSF BEARING CAPACITY,
4'-1\"/>

5 CONTECH METAL ARCH BRIDGE CULVERT
C 401 NTS

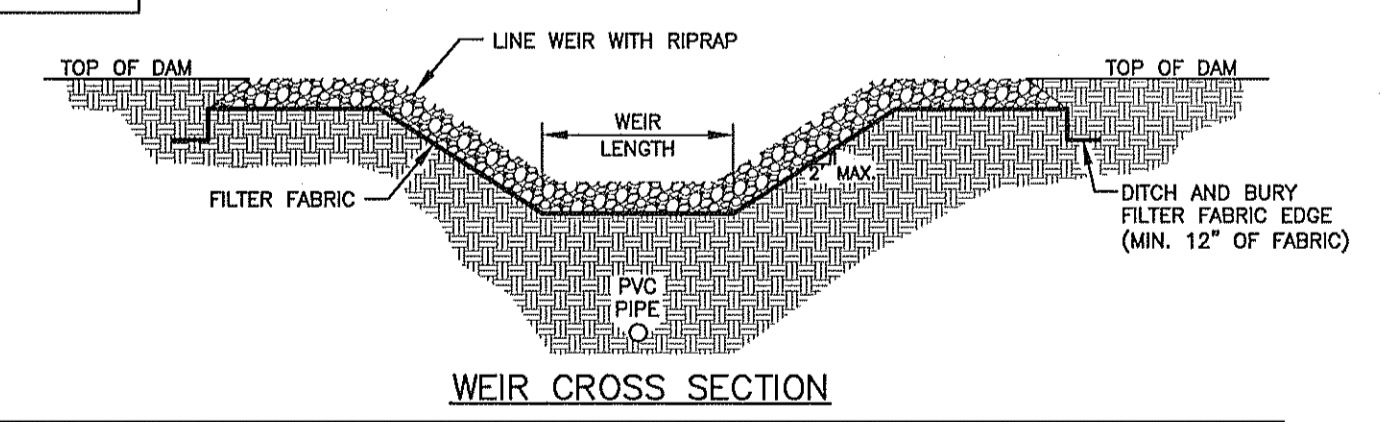


SKIMMER BASIN CROSS SECTION

NOTES:
1. USE FOR DRAINAGE AREAS NOT EXCEEDING FIVE ACRES.
2. EARTH BERM SHALL BE STABILIZED w/SEEDING ACCORDING TO TOWN SPECIFICATIONS.

DRAINAGE AREA (ACRES)	WEIR LENGTH (FT)
1	4.0
2	6.0
3	8.0
4	10.0
5	12.0

¹DIMENSIONS SHOWN ARE MINIMUM

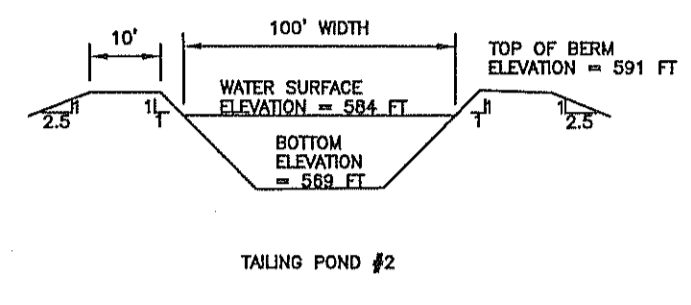
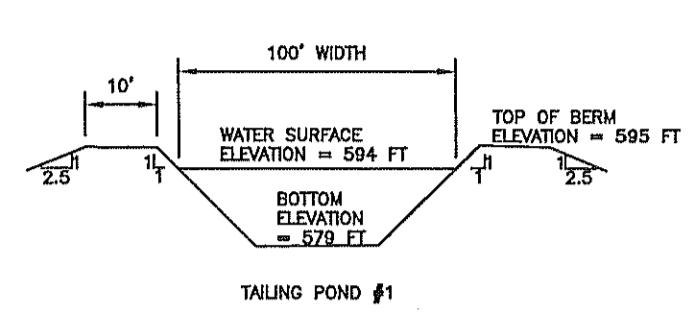


WEIR CROSS SECTION

MAINTENANCE
• INSPECT TEMPORARY SKIMMER BASIN AND EMPTY SKIMMER OF ALL DEBRIS AFTER EACH PERIOD OF SIGNIFICANT RAINFALL. REMOVE SEDIMENT AND RESTORE BASIN TO ITS ORIGINAL DIMENSIONS WHEN THE SEDIMENT HAS ACCUMULATED TO ONE-HALF THE DESIGN DEPTH OF THE BASIN. PLACE THE SEDIMENT THAT IS REMOVED IN A DESIGNATED DISPOSAL AREA. REPAIR BAFFLES.
• CHECK THE STRUCTURE FOR DAMAGE FROM EROSION OR PIPING. PERIODICALLY CHECK THE DEPTH OF THE SPILLWAY TO ENSURE IT IS A MINIMUM OF 1.5 FEET BELOW THE LOW POINT OF THE EMBANKMENT. IMMEDIATELY FILL ANY SETTLEMENT OF THE EMBANKMENT TO SLIGHTLY ABOVE DESIGN GRADE. ANY RIPRAP DISPLACED FROM THE SPILLWAY MUST BE REPLACED IMMEDIATELY.
• STABILIZE THE EMBANKMENT AND ALL DISTURBED AREAS ABOVE THE SEDIMENT POOL AND DOWNSTREAM FROM THE BASIN IMMEDIATELY AFTER CONSTRUCTION WITH SEEDING AND MATTING, AS NEEDED.

2 TEMPORARY SKIMMER BASIN (2 OF 2)
C 401 NTS

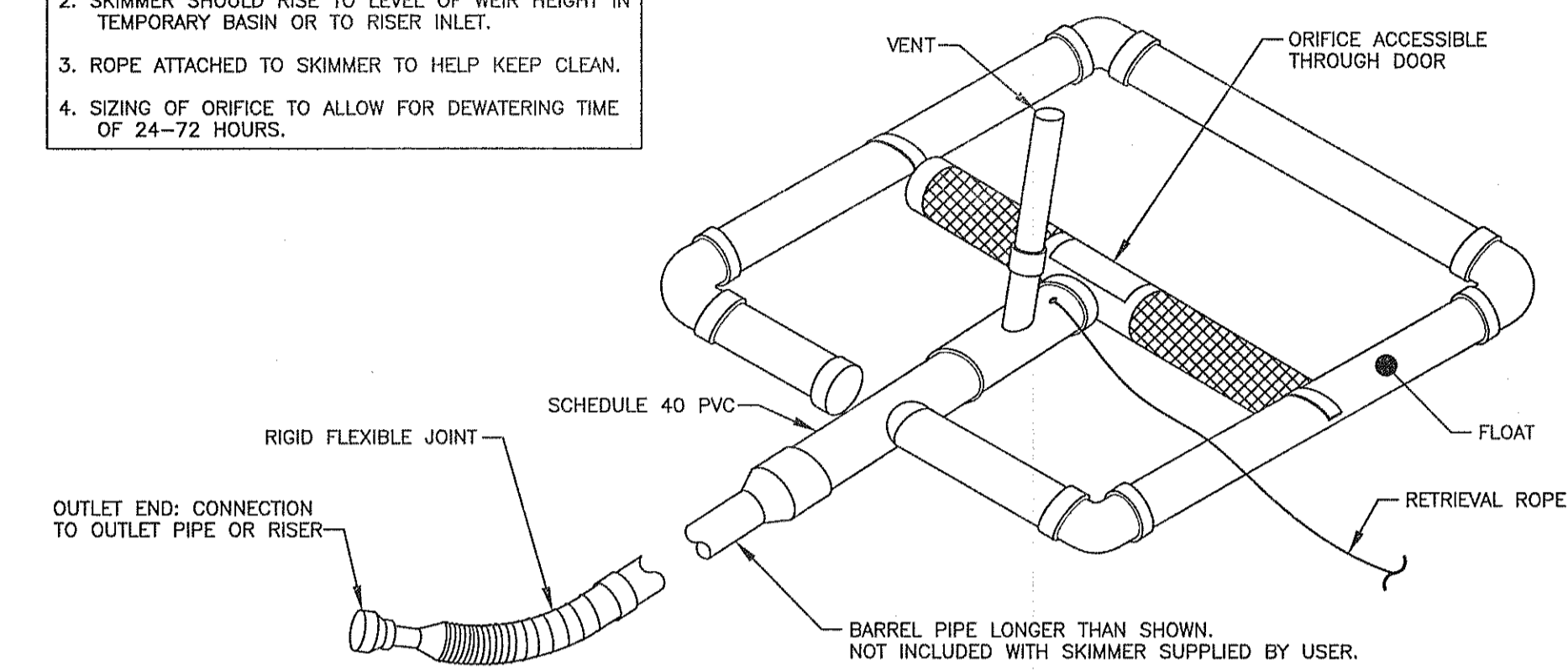
NOTE:
THE SETTLING PONDS WILL BE REMOVED WHEN THE RECLAMATION PLAN IS COMPLETED IN THE FIELD.



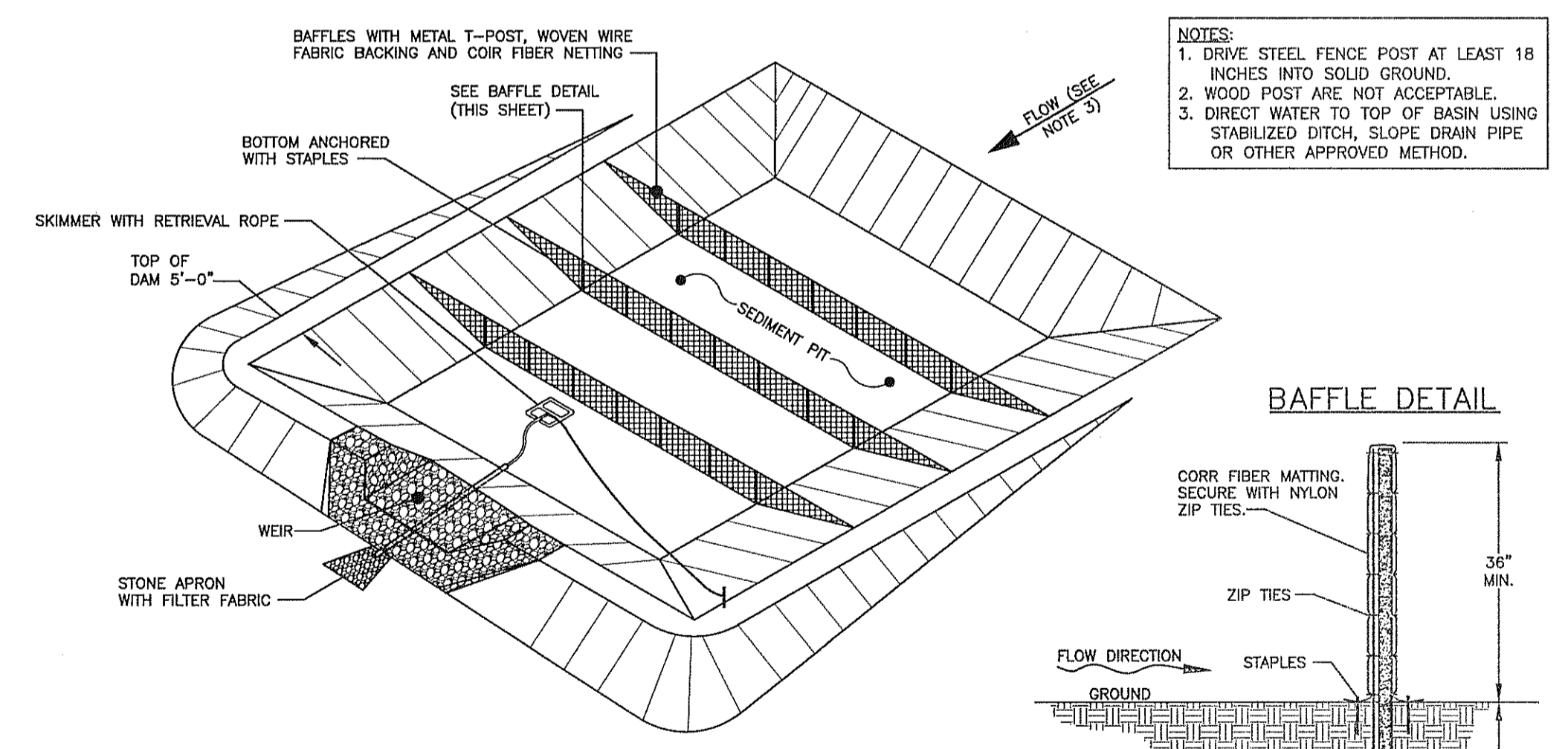
NOTE:
EACH TAILING POND SHALL HAVE A MINIMUM FREEBOARD OF 1.0 FEET AND SHALL HAVE DIMENSIONS AT THE SURFACE OF 500 FEET LONG BY 100 FEET WIDE.
THE SLOPES OF THE OUTER SIDES OF THE TAILING PONDS WILL VARY DEPENDING ON THE SURROUNDING SURFACE.

4 TAILING POND DETAIL
C 401 NTS

NOTES:
1. SKIMMER IS TO BE A SURFACE DEWATERING DEVICE SUCH AS BMP SKIMMER OR APPROVED DEVICE.
2. SKIMMER SHOULD RISE TO LEVEL OF WEIR HEIGHT IN TEMPORARY BASIN OR TO RISER INLET.
3. ROPE ATTACHED TO SKIMMER TO HELP KEEP CLEAN.
4. SIZING OF ORIFICE TO ALLOW FOR DEWATERING TIME OF 24-72 HOURS.



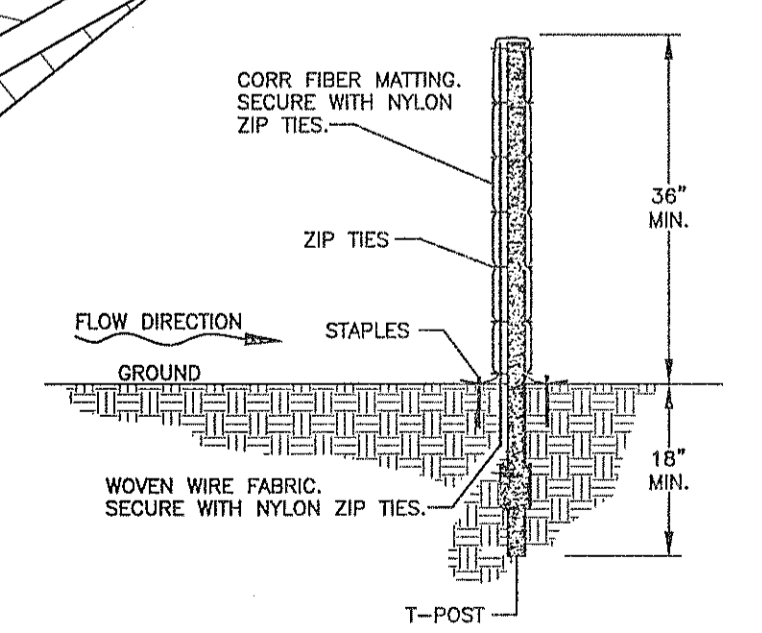
3 SKIMMER DETAIL
C 401 NTS



PERSPECTIVE VIEW

NOTES:
1. DRIVE STEEL FENCE POST AT LEAST 18 INCHES INTO SOLID GROUND.
2. WOOD POST ARE NOT ACCEPTABLE.
3. DIRECT WATER TO TOP OF BASIN USING STABILIZED DITCH, SLOPE DRAIN PIPE OR OTHER APPROVED METHOD.

BAFFLE DETAIL



Date & Time: 7/18/2019 2:44 PM By: C:\Users\kchad\OneDrive\Documents\DWG\Drawings\DWG\Drawings\Snow Camp Mine\2190335-Snow Camp Mine\2190335-TEMPORARY SKIMMER BASIN (2 OF 2).DWG